

Interface PCB

Connector Accessory

# PROCESSOR DSP AUDIO

252 SHEET 4

## RECEIVER

246 GND RX-ANT SHEET 3

## SYNTH-VCO

2922 GND

### VCO

sheet 6

## POWER-AMP

93 GND RX-ANT SHEET 2

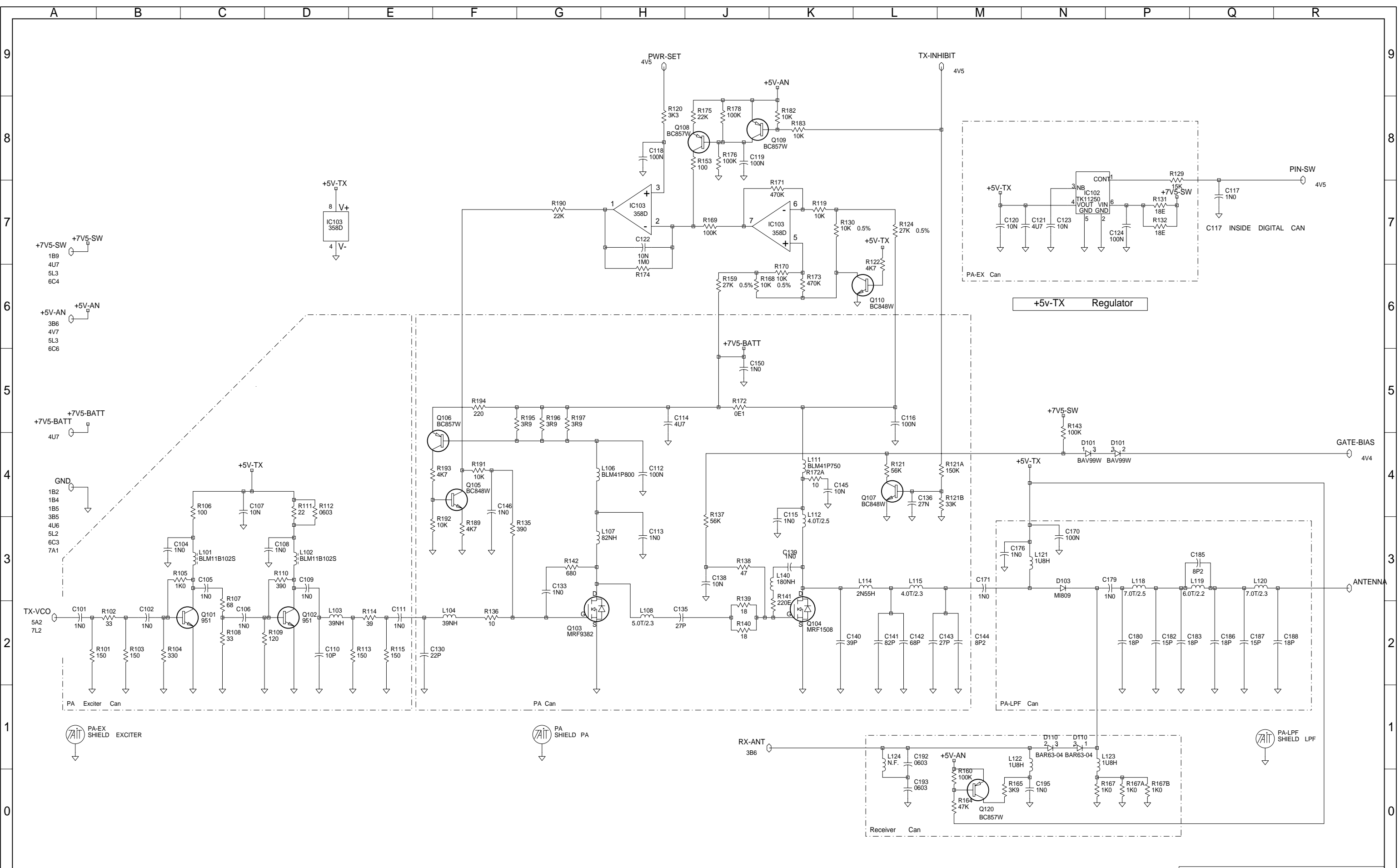
03B	4 SPR.PINS TO SMD. SEALS NONSMD	CCO	No.1588-007	TS		06/10/99
02B	PARTS ADDED TO SAVE POWER			BRD		11/06/99
02B	GEN-NEW PASTE SCREEN FOR DEK			BRD		02/06/99
02A	MINOR MOD TO CCT AND VALUES			SPICJK		25/05/99
01A	NEW PA LINEUP			BCS/CJK		12/02/99
REV/ISS	AMENDMENTS	DRAWN	CHKD	D.O.	APVD	DATE



VHF

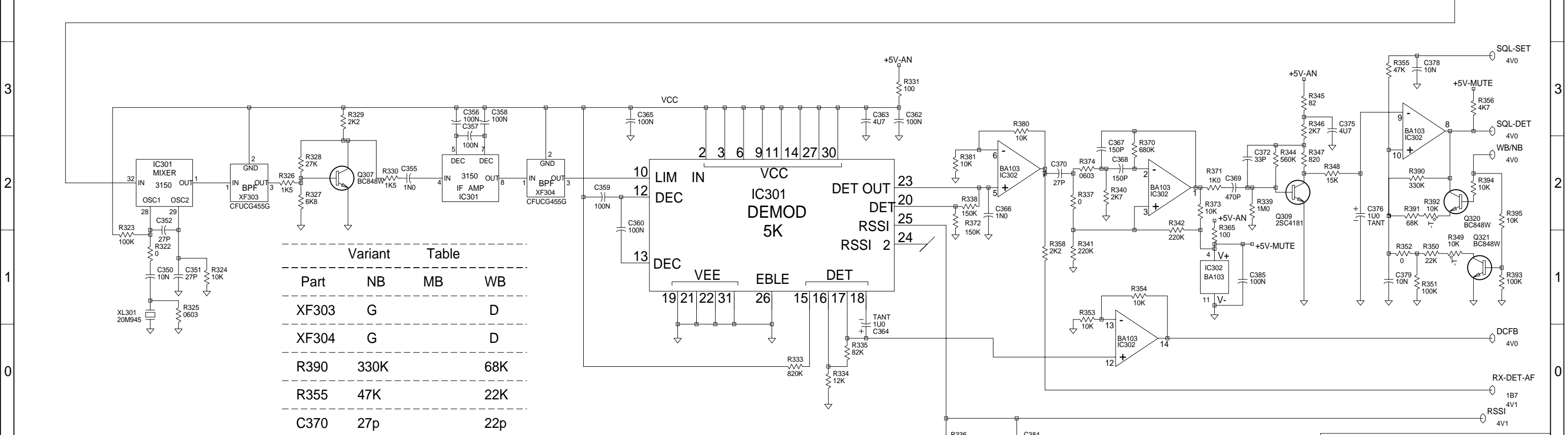
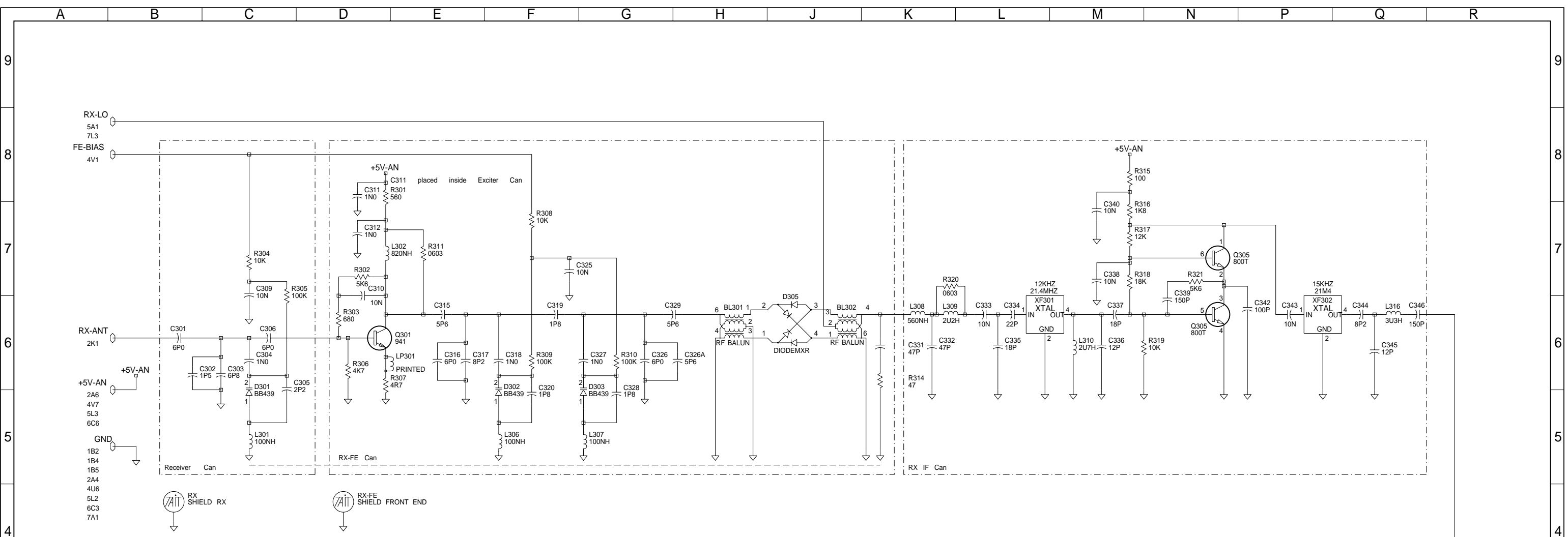
Tait Orca

© TAIT ELECTRONICS	
ORCA	:TP010-3122 136-174MHZ
SYSTEM DIAGRAM	
IPN: 220-01588-03	ISSUE: B 2.S.C. 1
PROJECT: TAIT ORCA	DESIGNER: BRD/TS
FILE NAME: 158803b	FILE DATE: 6-Oct-99
NO.SHEETS: 7	



01A	NEW PA LINEUP (BC-S)	CJK			12/02/99
REV/ISS	AMENDMENTS	DRAWN	CHKD	D.O.	APVD DATE

© TAIT ELECTRONICS  
 ORCA :TP010-3122 136-174MHZ  
 POWER AMPLIFIER  
 IPN: 220-01588-03 ISSUE: B ID: 2.S.C. 2  
 PROJECT: TAIT ORCA DESIGNER: BRD/TS FILE NAME: 158803b FILE DATE: 6-Oct-99 NO.SHEETS: 7

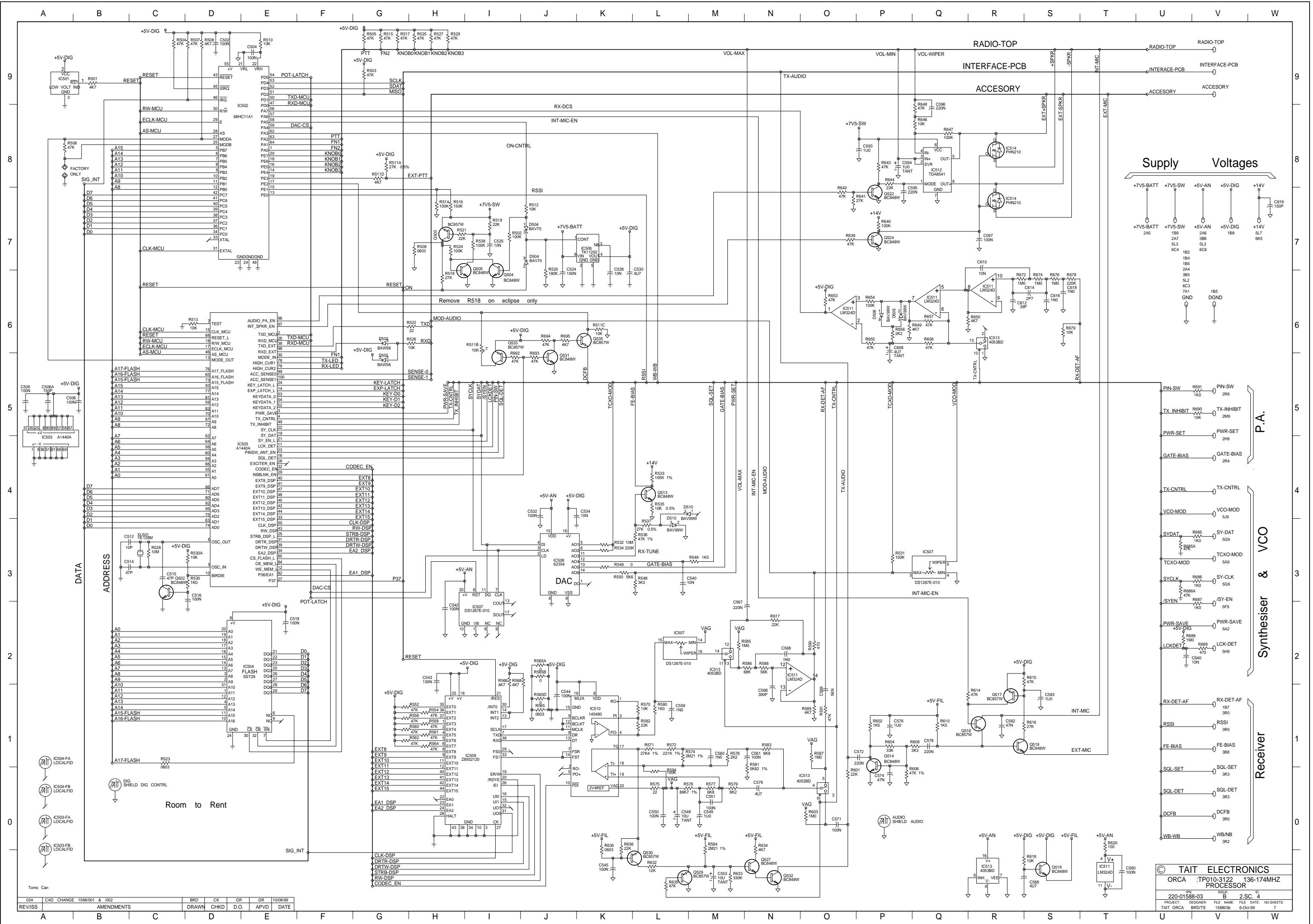


Variant Table

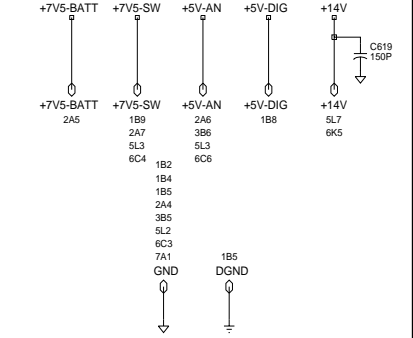
Part	NB	MB	WB
XF303	G		D
XF304	G		D
R390	330K		68K
R355	47K		22K
C370	27p		22p
C369	470p		330p

01A		CJK			12/02/99
REV/ISS	AMENDMENTS	DRAWN	CHKD	D.O.	APVD DATE

**TAIT ELECTRONICS**  
 ORCA :TP010-3122 136-174MHZ RECEIVER  
 IPN: 220-01588-03 ISSUE: B ID: 2.S.C. 3  
 PROJECT: TAIT ORCA DESIGNER: BRD/TS FILE NAME: 158803b FILE DATE: 6-Oct-99 NO.SHEETS: 7



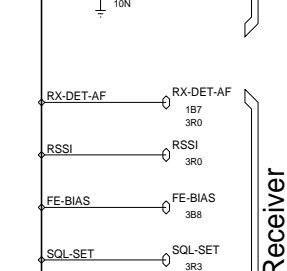
**Supply Voltages**



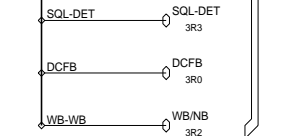
**P.A.**



**Synthesiser & VCO**



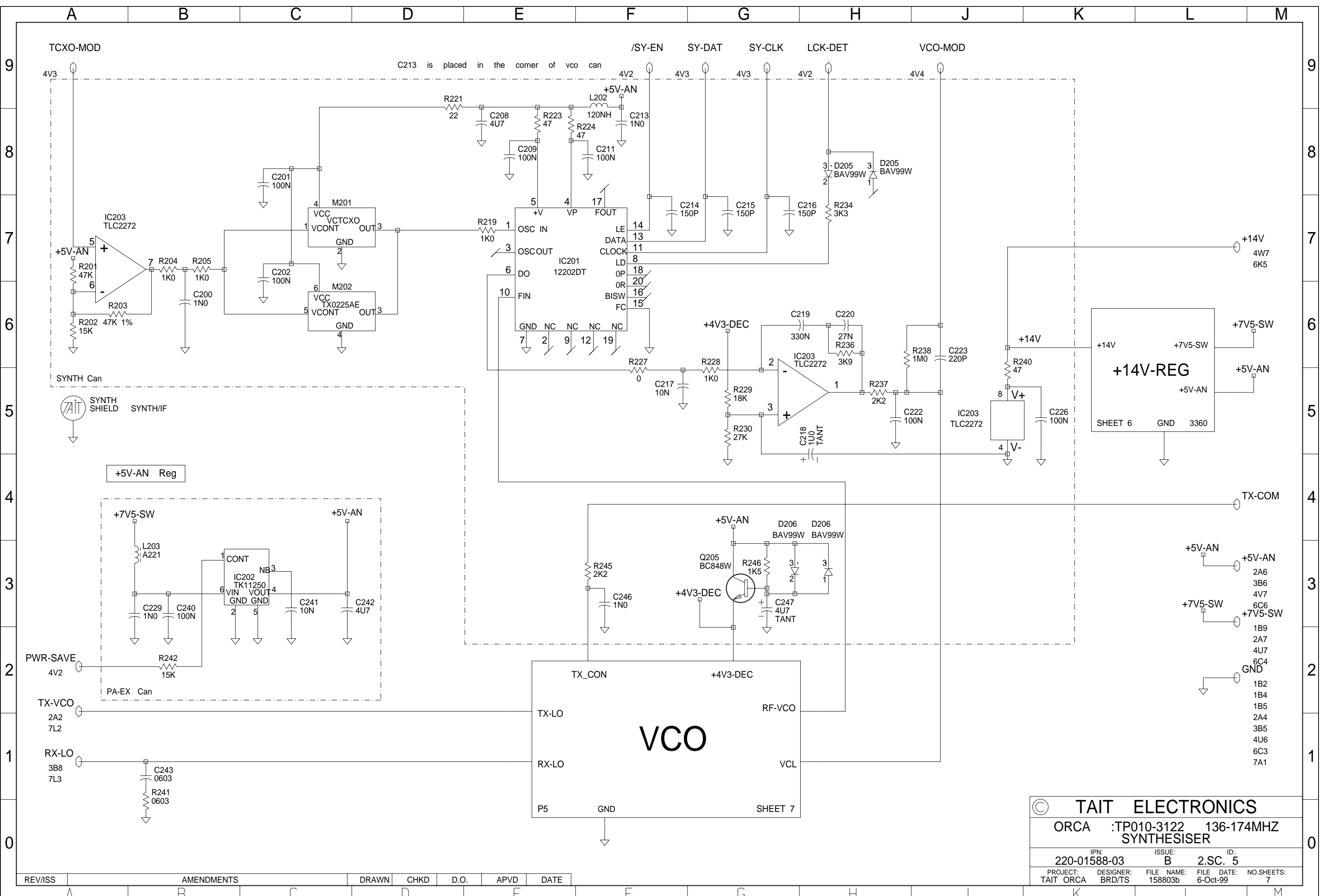
**Receiver**



Room to Rent

Revision table with columns for REV/ISS, CAD CHANGE, AMENDMENTS, DRAWN, CKD, GR, GR, and DATE.

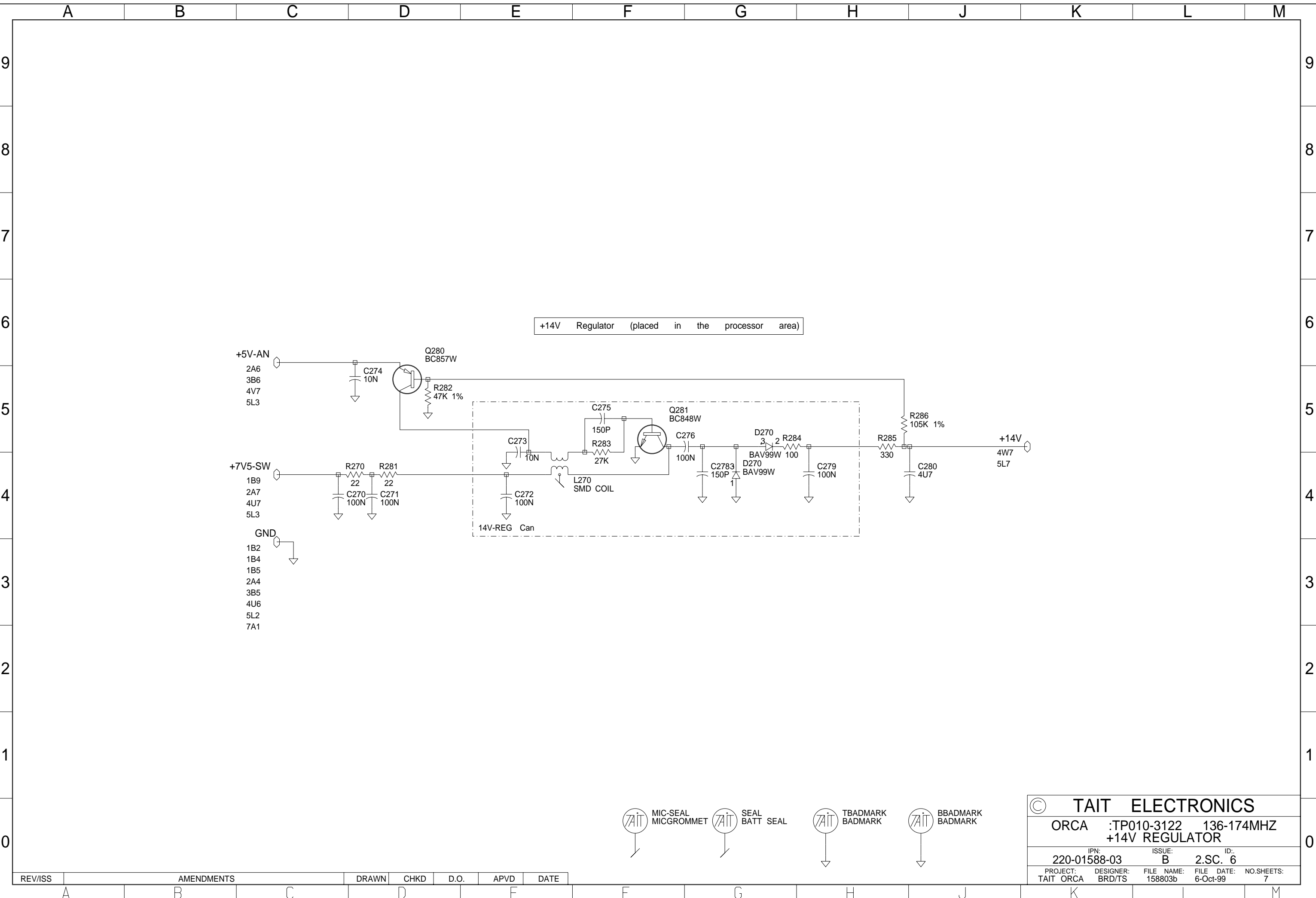
TAIT ELECTRONICS ORCA :TP10-3122 136-174MHZ PROCESSOR 220-01588-03 B 2-SC 4







© TAIT ELECTRONICS  
 ORCA :TP010-3122 136-174MHZ SYNTHESISER  
 IPN: 220-01588-03 ISSUE: B ID: 2.SC. 5  
 PROJECT: TAIT ORCA DESIGNER: BRD/TS FILE NAME: 158803b FILE DATE: 6-Oct-99 NO.SHEETS: 7

REV/ISS	AMENDMENTS	DRAWN	CHKD	D.O.	APVD	DATE

- +5V-AN 2A6
- +5V-AN 3B6
- 4V7 4V7
- +7V5-SW 6C6
- +7V5-SW 1B9
- 2A7 2A7
- 4U7 4U7
- 6C4 6C4
- GND 1B2
- 1B4 1B4
- 1B5 1B5
- 2A4 2A4
- 3B5 3B5
- 4U6 4U6
- 6C3 6C3
- 7A1 7A1

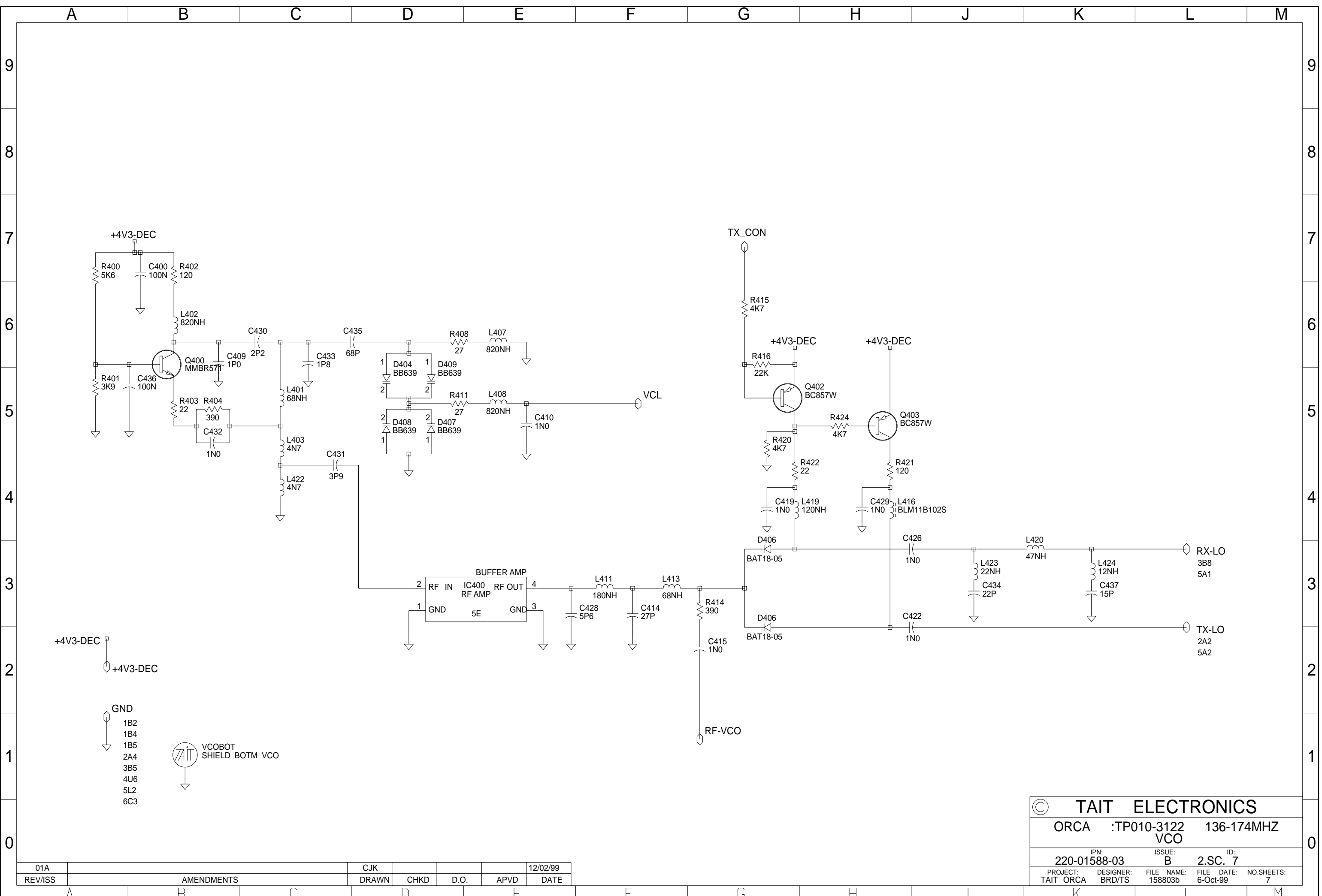


+14V Regulator (placed in the processor area)

-  MIC-SEAL MICGROMMET
-  SEAL BATT SEAL
-  TBADMARK BADMARK
-  BBADMARK BADMARK

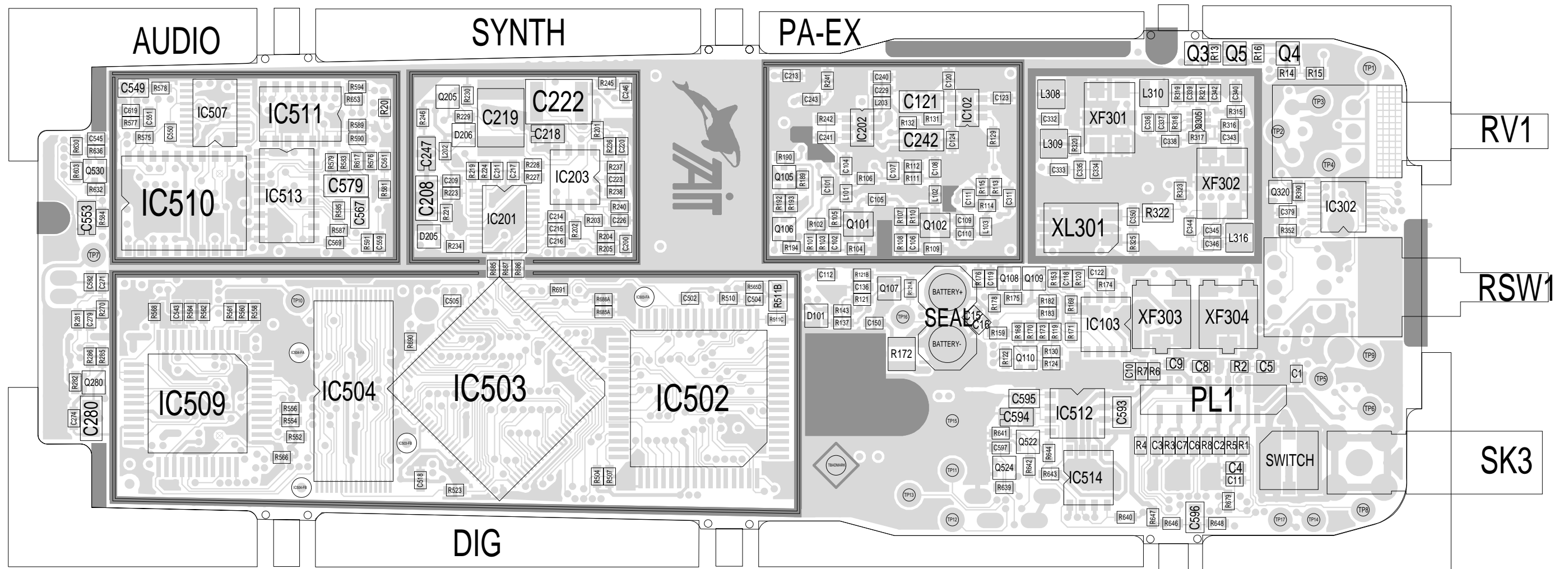
<b>© TAIT ELECTRONICS</b>				
ORCA		TP010-3122	136-174MHZ	
<b>+14V REGULATOR</b>				
IPN: 220-01588-03		ISSUE: B	ID: 2.SC. 6	
PROJECT: TAIT ORCA	DESIGNER: BRD/TS	FILE NAME: 158803b	FILE DATE: 6-Oct-99	NO.SHEETS: 7

REV/ISS	AMENDMENTS	DRAWN	CHKD	D.O.	APVD	DATE



© TAIT ELECTRONICS  
 ORCA :TP010-3122 136-174MHZ  
 VCO  
 IPN: 220-01588-03 ISSUE: B ID: 2.SC. 7  
 PROJECT: TAIT ORCA DESIGNER: BRD/TS FILE NAME: 158803b FILE DATE: 6-Oct-99 NO.SHEETS: 7

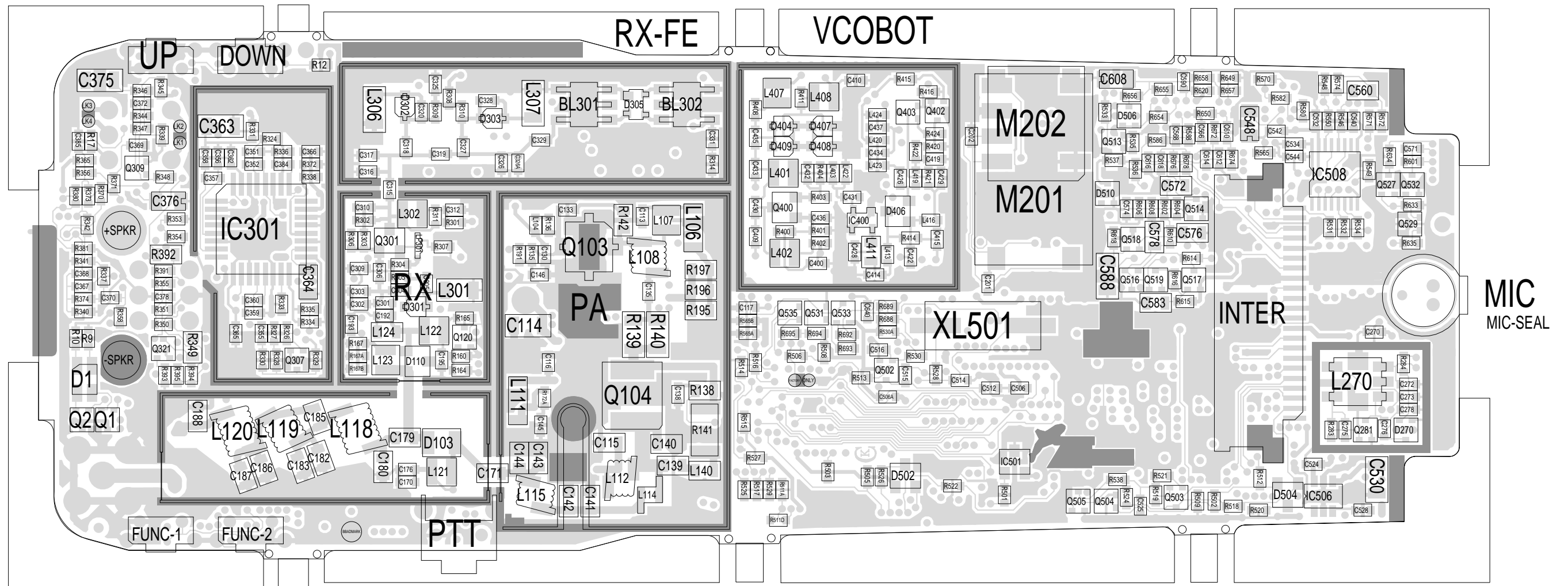
01A		CJK				12/02/99
REV/ISS	AMENDMENTS	DRAWN	CHKD	D.O.	APVD	DATE



TAIT ELECTRONICS IPN: 220-01588-03 ISS: -03A ID: 1.TA DATE: 12 Aug 1999  
 ORCA VHF PCB LAYOUT - TOP SIDE

Scale: 2.3:1 ; Rotation: 0 degrees





TAIT ELECTRONICS IPN: 220-01588-03 ISS: -03A ID: 6.BA DATE: 12 Aug 1999  
 ORCA VHF PCB LAYOUT - BOTTOM SIDE

Scale: 2.3:1 ; Rotation: 0 degrees